

City of Mt. Pleasant, Michigan

CONTRACT DOCUMENTS

For

HIGH SERVICE PUMP #1 REHABILITATION



JIM HOLTON

Mayor

NANCY RIDLEY

City Manager

Prepared By:
Division of Public Works

JOHN ZANG

DPW Director

January 2015

City of Mt. Pleasant, Michigan
TABLE OF CONTENTS

2015 HIGH SERVICE PUMP #1 REHABILITATION BID

Bidding Information

Notice to Bidders

Instructions to Bidders

Contract Documents

Proposal

Specifications

Supplemental Information

Contractor Insurance Requirements



THE CITY OF MT. PLEASANT, MICHIGAN

CITY HALL

320 W. Broadway St. • 48858-2312
(989) 779-5300
(989) 773-4691 fax

PUBLIC SAFETY

804 E. High • 48858-3595
(989) 779-5100
(989) 773-4020 fax

PUBLIC WORKS

1303 N. Franklin • 48858-4682
(989) 779-5400
(989) 772-6250 fax

NOTICE TO BIDDERS

2015 HIGH SERVICE PUMP #1 REHABILITATION BID

The City of Mt. Pleasant, Michigan, is requesting sealed bids at the Office of the City Clerk, City Hall, 320 W. Broadway Street, Mt. Pleasant, Michigan 48858, until 1:30 p.m. (local time), on February 17, 2015, at which time and place the bids will be publicly opened and read. All bids shall be submitted in a sealed envelope, plainly marked "2015 High Service Pump #1 Rehabilitation Bid – February 17, 2015."

Proposals are solicited on a unit price basis, for the following work:

Labor and materials to remove, inspect, repair and/or replace components of High Service Pump #1

All bid proposals must be accompanied by a bid bond, bank cashier's check, bank draft, or certified check for not less than five percent (5%) of the bid price, made payable to the City of Mt. Pleasant.

To view and download complete Plans and Specifications at no charge, visit the City of Mt. Pleasant website at www.mt-pleasant.org and navigate to the Bids and Quotes page.

The City of Mt. Pleasant reserves the right to accept or reject any or all bids, to waive any irregularities in the bids, and to select the bid considered most advantageous to the city.

Malcolm Fox
Water Plant Supervisor
(989) 779-5426 / 779-5430

Jeremy Howard
City Clerk

City of Mt. Pleasant, Michigan
INSTRUCTIONS TO BIDDERS

1. **Proposals**

Proposals must be made upon the forms provided therefore, with the Bid amount both written and shown in figures, and all other data required submitted.

The Proposal, bound together with all Proposal Documents, must be enclosed in a sealed envelope marked as specified in the Notice to Bidders for such Bid and clearly indicating the name and address of the Bidder and must be received by the City Clerk, City Hall, 320 West Broadway Street, Mt. Pleasant, Michigan 48858, no later than the time and date specified in the Notice to Bidders. At such specified time, Proposals shall be publicly opened and read aloud.

2. **Basis of Proposals**

Proposals are solicited on the basis of unit price(s) and/or lump sum(s), as specified on the Proposal form.

The City of Mt. Pleasant (also referred to as "Owner"), reserves the right to accept any Bid, to reject any or all Bids, to waive any irregularities in the Bids, and to select the Bid considered most advantageous to the city.

3. **Comparison of Bids**

In comparing Bids, consideration shall be given to the time proposed for completion of the Contract, qualifications of Bidder, price differentials, alternate Proposals for the alternate items listed in the Proposal (if applicable), and any other pertinent factors. **The City of Mt. Pleasant grants a preference to businesses located within the Mt. Pleasant City Limits. The preference given is a differential above the low bid if the low bid is not from a City of Mt. Pleasant bidder. The differential allowed is 3% of the total for bids between \$5,000 and \$9,999 and 2% of the total for bids over \$10,000. The maximum credit allowed is \$1500.00.** The Owner reserves the right to make an award to the Bidder whose Proposal is deemed to be in the best interest of the Owner.

4. **Time**

Time is of the essence in the performance of the Contract, and each Bidder, by submitting a Proposal, certifies his/her acceptance of the time allowed by the Contract for the completion of the work specified.

5. **Indemnification**

The Contractor shall save and hold harmless the city and its employees from and against all claims, damages, losses, or expenses, including attorney's fees, arising out of or resulting from the performance of the work; provided that any such claim, damage, loss or expense is caused in whole or in part by any negligent or willful act of omission of the contractor, subcontractor, employee, or anyone under their direction. The Contractor shall at his/her own expense, defend any and all such actions and shall pay all attorney's fees, costs, and expenses pertaining thereto.

6. **Bid Deposits**

Each Proposal shall be accompanied by a certified check, or a Bid Bond by a recognized Surety Company similar to a U. S. Government Standard Form Bid Bond, in the amount of five percent (5%) of the total amount of the Bid, made payable to the City of Mt. Pleasant, subject to forfeiture to the Owner in the event of failure on the part of the successful Bidder to enter into the attached form of agreement to do the work specified by said Proposal at the price and within the time stated therein. The Bid Deposit of all Bidders, except the three (3) lowest acceptable Bidders, shall be returned within two (2) weeks after opening of bids. The bid deposits of the three (3) lowest acceptable bidders shall be returned within 48 hours after the executed Contract(s) have been finally approved by the Owner.

7. **Liquidated Damages**

A liquidated damage clause, as given in the Contract form, provides that the Contractor shall pay the Owner as liquidated damages, and not as a penalty, the amount indicated in the Proposal for each and every calendar day that the Contractor may be in default of substantial completion of the work required under said Contract.

8. **Insurance and Bonds**

The successful Bidder will be required to execute (2) Bonds, in the form attached hereto, with Surety acceptable to the Owner and insurance, as follows:

- a. Bond in the amount of 100% of the Estimated Contract Price running to the City of Mt. Pleasant, Michigan, to insure the completion of the entire work, according to the statutes of the State of Michigan in effect at that time.
- b. Bond in the amount of 100% of the Estimated Contract Price running to the People of the State of Michigan for the protection of Subcontractors and Labor and Material Men, according to the statutes of the State of Michigan in effect at that time.
- c. Insurance in the amounts required by City Ordinance as specified in the Section 1 - General Construction Specifications, attached hereto.

The successful bidder shall be required to furnish for each set of executed Contract Documents, and conformed copies thereof, an original conformed Performance Bond, Labor and Materials Bond, Maintenance Bond, and Insurance Certificates.

9. **Permits and Local Codes**

The Owner shall procure the required permits for municipal sanitary sewer construction, municipal water system construction, and soil erosion control.

The Contractor shall obtain, at his/her expense, all other required local construction permits and shall comply with local building code and inspection requirements.

10. **Qualifications of Bidders**

It is the intent of the Owner to award the Contract to a Bidder fully capable, both financially and with regard to experience, to perform and complete all work in a satisfactory and timely manner. Evidence of such competency must be furnished on the forms included in the proposal, listing projects of similar difficulty, scope of work, and size, which the Bidder has satisfactorily undertaken and completed.

It is the intention of the City to award the contract to a Contractor whose ability and financial resources are fully equal to the task of performing the work in a satisfactory manner. With this in view, the Proposal calls for at least five (5) references, using specific names of persons to contact concerning the Contractor's ability to do this particular class of work. References from municipalities are preferred. The mere ability to furnish a Performance Bond shall not be accepted as sufficient evidence of responsibility on the part of the Bidder. The Bidder may also be required to furnish evidence of his current financial status.

11. **Interpretation of Documents**

If any Bidder is in doubt as to the true meaning of any part of the Plans, Specifications or any Contract Document, he/she may submit to the Owner a written request for an interpretation thereof. Any interpretation made in response to such a query shall be made only by Addendum, duly issued, and a copy of such Addendum shall be mailed or duly delivered to each prospective Bidder. The Owner shall not be responsible for any other explanation or interpretation of the Contract Documents. Alternative proposals that are suggested by bidders will be given consideration, if presented before the bid opening. If accepted, an addendum will be issued and sent out to all potential bidders, so that they may bid on the alternatives that have been identified.

12. **Execution of Bid Proposal**

A Bid Proposal, which is not signed by the individual making it, should have attached thereto a Power of Attorney evidencing authority to sign the Bid Proposal in the name of the person for whom it is signed.

A Bid Proposal, which is signed by a partnership, shall be signed by all of the partners or by an Attorney-in-Fact. If signed by an Attorney-in-Fact, there should be attached to the Bid a Power of Attorney evidencing authority to sign the Bid Proposal in the name of the partnership and such Power of Attorney shall be signed by all partners of the partnership.

A Bid Proposal, which is signed for a corporation, should have the correct corporate name thereof and the signature of the President, or other authorized officer(s) of the corporation, manually written below the corporate name and on the line indicating "By:_____." If such a Bid Proposal is manually signed by an officer other than the President of the corporation, a certified copy of a Resolution of the Board of Directors evidencing the authority of such officer(s) to sign the Bid Proposal should be attached thereto. Such a Bid Proposal should also bear the attested signature of the Secretary of the corporation and an impression of the corporate seal.

13. **Execution of Contract**

The successful Bidder to whom an award is made shall be required to enter into a written agreement, in the form attached hereto, within ten (10) days after receipt of a Notice of Award and copies of the documents to be executed. In the event the successful Bidder fails to comply with this provision, he/she may be considered by the Owner to have abandoned all his/her rights and interests in the award and his/her certified check or amount of the Bid Bond may be declared to be forfeited to the Owner, and the Contract may be awarded to another.

14. **Bidder Responsibility For Conditions of Work and Site**

The Bidder, or his/her representative, shall make personal investigation of the site of work and of existing structures and shall determine to his/her own satisfaction the conditions to be encountered, the nature of the ground, the difficulties involved in making connections to existing structures and pipes, and any and all other factors affecting the work proposed under the Contract.

The Bidder to whom the Contract is awarded shall not be entitled to any additional compensation by reason of conditions being different from those anticipated or by reason of his/her failure to fully acquaint himself/herself with the conditions at the site affecting the work of the Contract.

15. **Changes in Work**

If any change is required to be made in the work of the Contract, a payment adjustment therefore shall be determined as specified in the "TECHNICAL SPECIFICATIONS, Section 1 - General Construction Specifications" of the Contract.

Revised: February 2006

City of Mt. Pleasant, Michigan
BID PROPOSAL
2015 HIGH SERVICE PUMP #1 REHABILITATION

TO: Office of the City Clerk
City Hall
320 W. Broadway Street
Mt. Pleasant, MI 48858

BID DATE: February 17, 2015
TIME: 1:30 p.m.

The undersigned, as Bidder, hereby declares that this bid is made in good faith without fraud or collusion with any person or persons bidding of the same Contract; that he has carefully read and examined the Contract Documents, including the Notice to Bidders, Instructions, Bond Forms, Technical and Detailed Specifications, and Contract Drawings, for the designated work and understands all of the same; that he, or his representative, has made such a personal investigation at the site as is necessary to determine the character and difficulties attending the execution of the proposed work; and he proposes and agrees that if this Proposal is accepted, he will contract with the Owner in the form of the Contract hereto annexed, to provide necessary machinery, tools, apparatus and other means of construction, including utility and transportation services, necessary to do all the work and furnish all the materials and equipment specified or referred to in the Contract Documents, including Addenda No. __, __, and __, in the manner and time therein prescribed, and according to the requirements of the Owner as therein set forth to furnish Contractor Bonds and Insurance required of the Contractor by the Contract Documents, and that he will take in full payment therefore the unit prices set forth in the following Proposal.

The Bidder understands that the Owner reserves the right to reject any or all bids, and to waive any irregularities in the bidding.

The Bidder agrees that his bid shall be good and may not be withdrawn for a period of sixty (60) calendar days after the scheduled closing time for receiving the bids.

Upon receipt of a written Notice of Award of the Bid, the Bidder shall execute the formal Contract Agreement attached hereto within ten (10) days and shall deliver to the Owner a Surety Bond or Bonds required. In the event the Contract and Bond are not executed within the time above set forth, the Bid Deposit attached in the sum of five percent (5%) of the Bid Proposal shall become the property of the Owner as liquidated damages for the delay and additional expense to the Owner caused thereby.

The Bidder hereby agrees to commence work under this Contract on or before the date to be specified in the written Notice to Proceed executed by the Owner and to fully complete the project as stipulated in the Special Conditions of these Specifications. The Bidder further agrees to pay as liquidated damages the sum indicated in the Special Conditions for each consecutive calendar day thereafter, until substantial completion, that is when all work items in the proposal are complete and notification of substantial completion of work items and final quantities is given to the Director of Public Works by the contractor.

The below unit prices shall include all labor, materials, overhead, profit, insurance, etc., to cover the finished work of the several kinds specified, and the Bidder agrees to perform all of the work described in the Specifications and/or shown on the Plans for the following unit prices:

A. LABOR AND SERVICE:

DESCRIPTION	QTY	UNIT PRICE	FIELD WORK	SHOP WORK
Pull pump and motor, tear down, inspect, set pump and motor, start up, and test	1	\$ _____	\$ _____	\$ _____
TOTAL AMOUNT FOR LABOR AND SERVICE:			\$ _____	

B. MATERIALS:

ITEM	DESCRIPTION	QTY	UNIT PRICE	TOTAL
1.	Cost per 10 ft. section of column, carbon steel shaft, couplings, rubber bearing, and bearing retainer	1	\$ _____	\$ _____
2.	10' Shaft	1	\$ _____	\$ _____
3.	10" Column pipe – 5 ft.	1	\$ _____	\$ _____
4.	1-1/2" Head shaft – 5 ft. S.S.	1	\$ _____	\$ _____
5.	Couplings	2	\$ _____	\$ _____
6.	Rubber bearings	2	\$ _____	\$ _____
7.	Bearing retainers	2	\$ _____	\$ _____
8.	Motor rehabilitation	1	\$ _____	\$ _____
TOTAL AMOUNT FOR MATERIALS				\$ _____
TOTAL BID (A + B)				\$ _____

(Figures)

_____ and ____/100 Dollars.
(Written)

RESPECTFULLY SUBMITTED,

COMPANY NAME _____

ADDRESS _____

CITY _____ STATE _____ ZIP CODE _____

AREA CODE/TELEPHONE NUMBER _____ DATE _____

FAX NUMBER _____ EMAIL _____

SIGNATURE _____

PRINT OR TYPE NAME AND TITLE _____

EXPERIENCE QUESTIONNAIRE
TO BE FURNISHED BY BIDDER
CITY OF MOUNT PLEASANT, MICHIGAN

The signatory of this proposal guarantees the truth and accuracy of all statements and of all answers hereinafter made.

1. How many years have you been in business as a contractor under your present name?

2. How many years have you been a principal officer of a firm under a different name?

Name of Firm _____

3. What projects of a similar nature has your organization contracted for within the past five years? (NOTE: Fill out each blank completely.)

Name of Owner & Location	Name/Address/Phone # of Person in Charge as Reference	Type of Work	Value of Work	Date Completed
-----------------------------	---	--------------------	---------------------	-------------------

1. _____

2. _____

3. _____

4. _____

5. _____

6. _____

City of Mt. Pleasant
2015 HIGH SERVICE PUMP #1 REHABILITATION BID

SPECIFICATIONS

SCOPE OF WORK

The work to be performed under this contract includes pump and motor removal and inspection, repair (as necessary following inspection) of the #1 High Service Pump, and reinstallation of the pump, motor, and components at the High Service Pump Station. The bids are to include all mobilization, equipment, labor, tools, materials, clean up, and the meeting of all OSHA requirements.

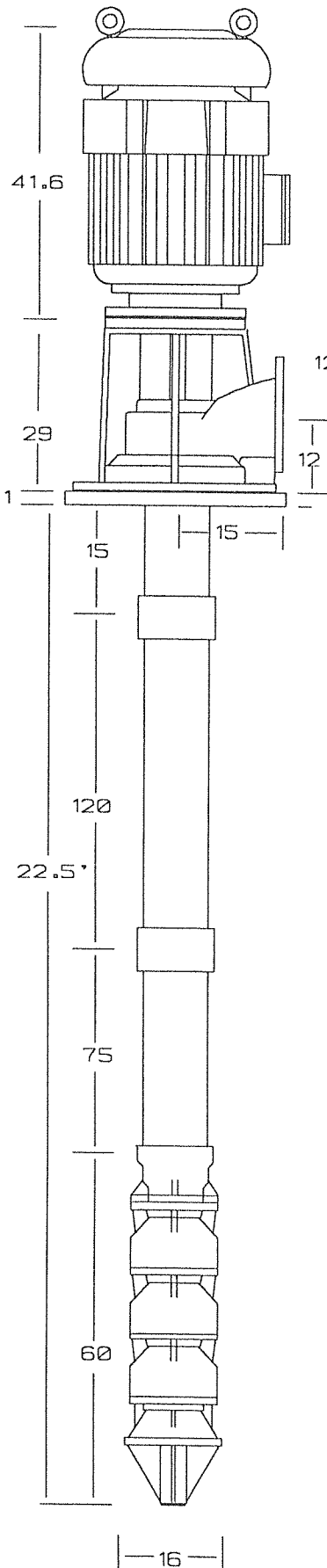
WORK COMPONENTS

- 1) Remove pump motor, pump base, column, and shaft. Pump disassembly, cleaning, (inspect for repair as authorized by owner) and pump assembly. Rehabilitate and install motor, pump and assembly.
- 2) The contractor for inspection by the Owner shall clean column, shaft, and pump assembly.
- 3) Because of the unknown condition of the existing pump assembly, column, coupling, and shaft, the contractor will furnish a price list of these items for replacement listed in the Bid Proposal.
- 4) Provide a "Pump Installation Report" that includes at a minimum; a labeled schematic of the pump, motor data, column data, pump head data, pump bowl data (manufacturer, s/n, size, No. of stages, material, etc.).
- 5) See the following pages for information on the existing motor, and pump.

REPAIRS

Repairs, if required, to the pump and appurtenances will be made after the pump has been removed, disassembled, and inspected by the contractor and the Division of Public Works. The contractor shall prepare an itemized list of repairs and costs for approval by the Division of Public Works Water Department prior to making any repairs.

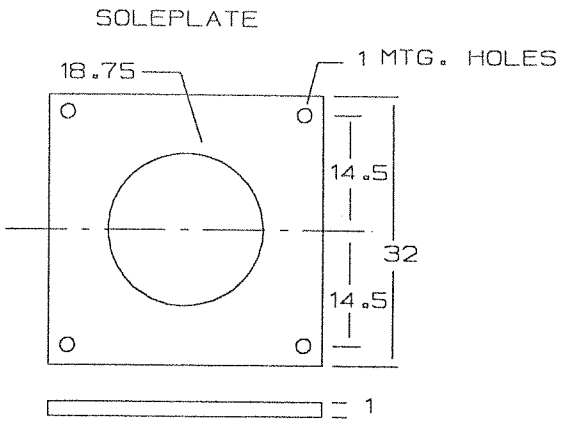
Pump parts shall be new and conform to ASA-58-1 1961 (or newest) specifications entitled "American Standard Specifications for Vertical Turbine Pumps." Bidder should field verify motor, combination drive, and pump as needed for bid process.



US 100 HP MOTOR
1800 RPM, WP1
404TP FRAME
HOLLOSHAFT

COMPONENT WEIGHTS
PUMP 2800
MOTOR 1110

12" 125 PSI FLANGE



PAINTING REQUIREMENTS
OUTSIDE OF BOWL ASSEMBLY, INSIDE AND OUTSIDE OF ALL COLUMN AND DISCHARGE HEAD WATERWAYS ARE TO BE SANDBLASTED AND CLEANED IN ACCORDANCE WITH SSPC-SP10. SURFACES ARE TO BE PAINTED AS SHOWN BELOW

A. APPLY 1 COAT TNEPEC PRIMER
B. APPLY 2 COATS TNEPEC POTA-POX TO ACHIEVE 8-10 MILS DFT
C. SOLEPLATE AND OUTSIDE DISCHARGE HEAD..FACTORY PRIMER

IDP/WORTHINGTON PUMP
1850 GPM @ 175' TDH
MODEL 14HH220-03
12W20 DISCHARGE HEAD
12" COLUMN PIPE
1 1/2" SHAFTING

CADD DRAWING		
INGERSOLL-DRESSER PUMPS TANEYTOWN, MD.		
HIGH SERVICE PUMP		
PROJECT WATER TREATMENT PLANT MT. PLEASANT, MI.		
9-23-1994	SCALE NONE	APPROVED BY
DWG. 940091		

ALL DIMENSIONS IN INCHES UNLESS OTHERWISE SPECIFIED

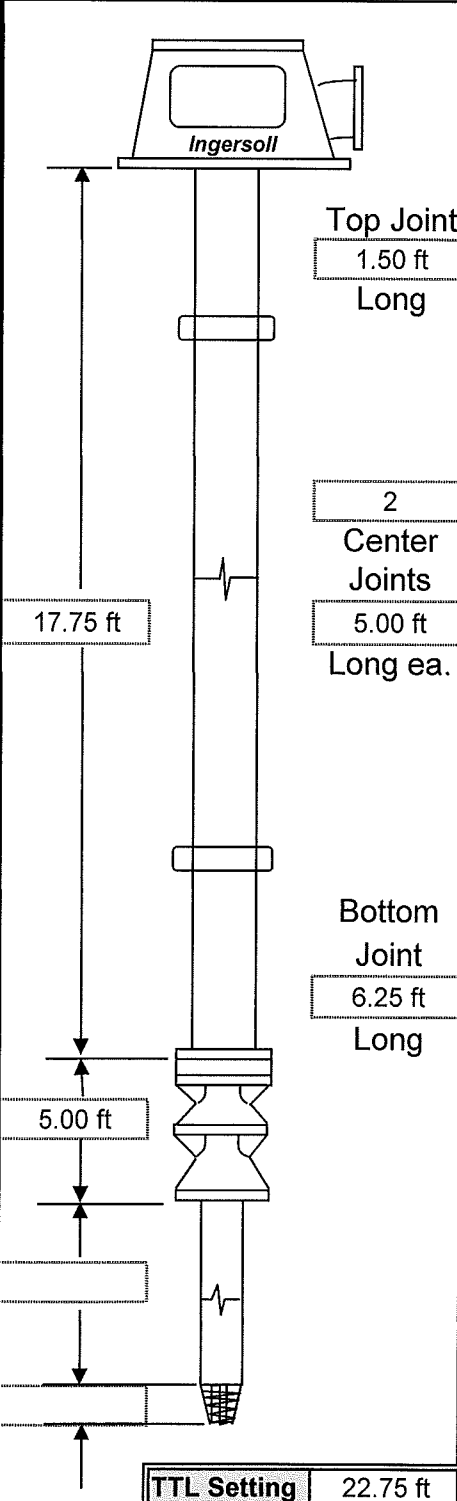
Layne Northern Company

a division of Layne Christensen Company

Lansing, Michigan

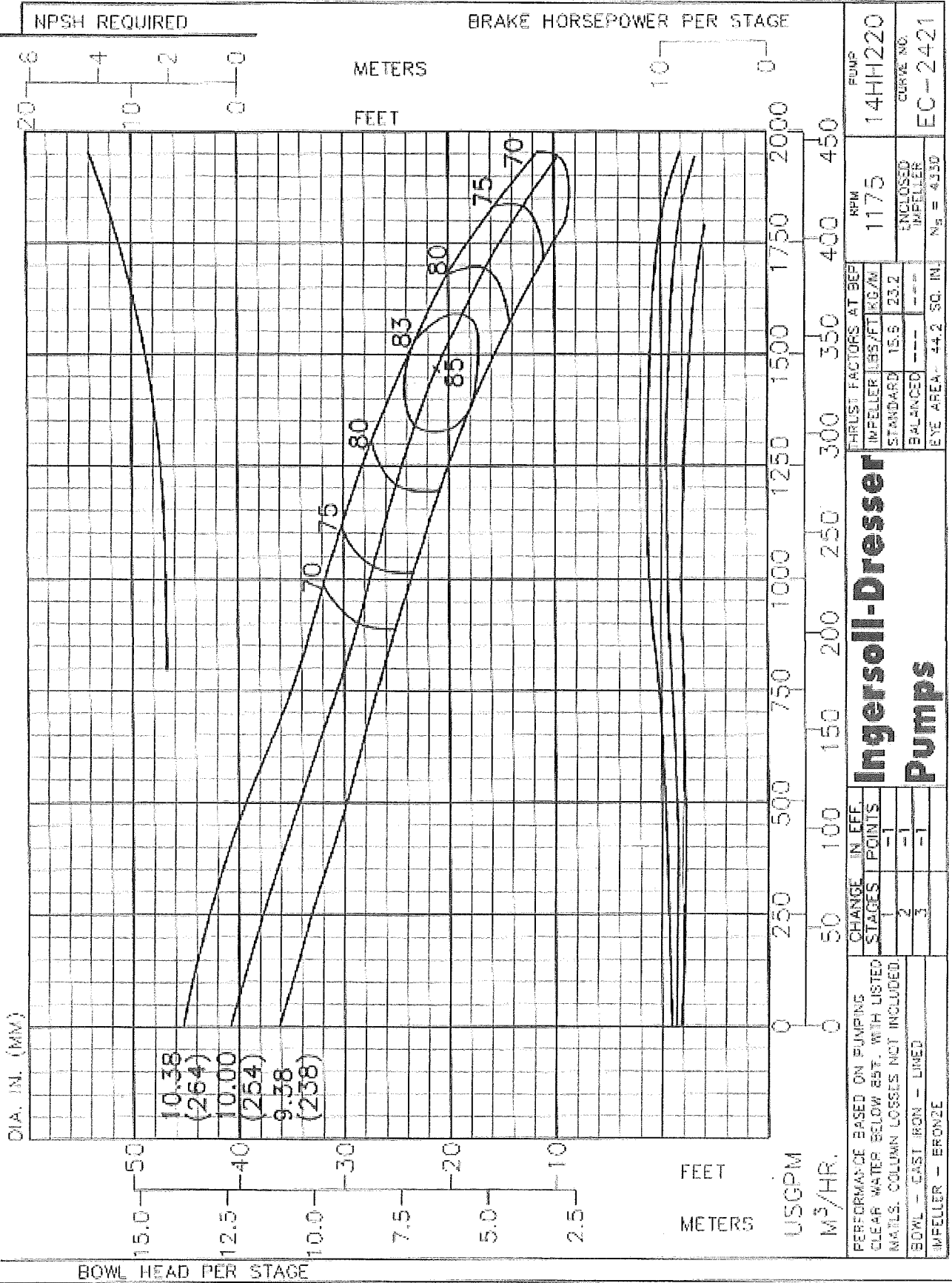
PUMP INSTALLATION REPORT

Job No.	7870	Well No.	HS 1	Owner	City of Mt. Pleasant	Date	08/29/06
Pump No.	9023	City	Mt. Pleasant	State	Michigan		
Location of Well	End of McGirt St						



MOTOR		HEAD		BOWL	
Manufacturer	US	Manufacturer	Ingersoll	Manufacturer	Ingersoll
Horsepower	100	Type		Model	14 H-H
RPM	1110	Disc. Flg. Size	12"	Size	14"
Phase	3	BasePlate	Yes	No. Stages	3
Line Volts	460	Head Shaft Dia.	1 1/2"	Material	CI
Full Load Amps.	120.5	Head Shaft Length	24 1/4"	Cfm-Conn. Size	12"
Serial Number		Shaft Material	SS	Shft Conn. Size	1 1/2"
Type	RU	Couple in Head	Yes	Constant	15 3/4"
Frame	404TP	COLUMN		SUCTION	
Shaft Diameter	1 1/2"	Water Lube	Yes	Threaded	N/A
Shaft Length	4 1/2"	Oil Lube		Bell	
Thread Size	12	Pipe Size	12"	Size	
Key size	3/8"	Oil Tube Size		Special Paint	
Bolt Circle	14 3/4	Shaft Size	1 1/2 "	Strainer	
CxD Dimension	37"	Shaft Material	SS	WELL TYPE	
Overhauled by	LEM	Coupling Material	SS	Casing Dia.	N/A
GEAR DRIVE		PUMPING DATA		Well Depth	
Manufacturer	N/A	Static Water Level		Top Hat Size	
Serial #		System Pressure		Casing Vent	
Gear Ratio		gpm @ sys. psi		Well type	
ENGINE		Pumping Level		MONITOR SYSTEMS	
Manufacturer	N/A	Test Minutes		Airline	N/A
Model		SPECIAL CONCERNS		Airline Type	
Serial #		Over Head		Airline Length	
BLOW OFF		Underground		Airline Fastened	
Size	N/A	Access imits		Stilling tube	
Connection				Tube Material	
Location				Tube Length	
SPECIAL INSTRUCTIONS					
COMMENTS					
			Installed by	G. Hughes	

FOR SERVICE CALL 1-800-535-1297 (Lansing)



**Ingersoll-Dresser
Pumps**

PERFORMANCE BASED ON PUMPING CLEAR WATER BELOW 85°F. WITH LISTED MATLS. COLUMN LOSSES NOT INCLUDED.		CHANGE IN EFF. STAGES		THRUST FACTORS AT BEP		PUMP	
1	-1	STANDARD	15.5	IMPELLER	1175	14HH220	CURVE NO. EC-2421
2	-1	BALANCED	---	INCLUDED	---	---	
3	-1	BOWL - CAST IRON - LINED	---	IMPELLER	---	---	EC-2421
IMPELLER - BRONZE		EYE AREA - 44.2 SQ. IN.		N _s = 4330			